



ROLDECK
POOL COVER SYSTEMS

Image used with kind permission from Whitewaters

Roldeck[®] - Pools Cover Systems

Certikin
FLUIDRA



Roldeck® have been the leading manufacturer of slatted swimming pool covers since 1973. The first Roldeck system was made in that year and since then, they have been at the forefront of developments in the world of automatic swimming pool covers. The advanced production facility is in Overpelt, Belgium and covers more than 10,000m² area.

WHY CHOOSE A SLATTED POOL COVER?

An automatic Roldeck slatted cover is not only attractive, creating an aesthetically pleasing finish to any indoor or outdoor pool, but is also the ultimate in energy saving (up to 70%), as it significantly reduces the amount of evaporation from the pool surface and as a result, heating costs are reduced. Furthermore, using a Roldeck slatted cover on an indoor pool, in conjunction with an air handling unit, will help you control the pool hall environment and prevent damage to the structure or fabric of the pool hall building.

Company values

QUALITY

Roldeck® strive for perfection. Use of the most modern manufacturing techniques also means that Roldeck® can always supply a product with exactly the right dimensions and that functions correctly. Using the best materials, which guarantees a long lifespan. The quality of every Roldeck is checked meticulously before leaving the factory. The crate always contains an installation-ready package with all necessary parts and materials. This way, Roldeck® guarantees a cover that will offer years of enjoyment and convenience.

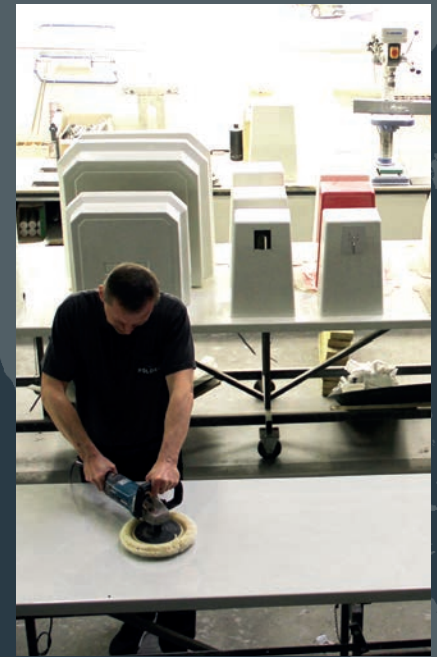


ENHANCED SAFETY

Whilst the Roldeck is not sold or promoted as a safety cover, the safety aspect can be enhanced by taking certain steps in the construction of the pool and by adding certain devices. For example, a safety ledge can be built into the pool at construction stage and a safety lock device can be built into the end wall (opposite the roller). Plus, Roldeck® can also supply straps, which, when used in conjunction with other safety features, allow the Roldeck to conform to the French Safety Standard NFP90-308. That said, the Roldeck is not sold or promoted as a safety cover.

INNOVATIVE

As a producer of swimming pool covers, quality and innovation are at the top of the agenda. The R&D team are continually developing the products, but they also look at various other aspects, from installation, and user-friendliness to quality. They do this using the most advanced configuration software system there is. Over the past years, innovations have been introduced in the control panel of Roldeck and the development of the S-switch, for example: this control panel is multifunctional and features a display. With the S-switch, the Roldeck can be opened or closed, the lighting, a jet stream, and even the time, water and temperature (optional) can be read on the display.





Roldeck slats

SLATS

Roldeck® offer a wide choice of slat colour to accommodate both indoor and outdoor pools. Each Roldeck cover is produced uniquely to suit your specific pool size. Dimensions are precise down to the millimetre in a bid to create the best fit and look for the pool.

For example if you choose the transparent blue or crystal clear slats, in the evening you can enjoy the wonderful translucent effect when the underwater lighting is on. If you choose solar slats, you are choosing free swimming pool heating. These slats transfer the heat from the sun to the swimming pool water. The swimming water will be warmed by the very first sun rays.



Polycarbonate slats

MODERN AND DURABLE

The advanced-quality impact-resistant polycarbonate Roldeck® slats contain a built-in UV blocker and are better resistant against extreme temperatures and weather conditions. These slats can also be clicked together and taken apart in the traditional way.



Solar Eclipse®: The slat has a width of 60 mm and a thickness of 15 mm. Solar Eclipse® slats are more scratch resistant, have exceptional resistance to UV radiation thanks to UV stabilizers in the base material and an additional protective top layer.



Solar Eclipse® Volcano Grey



Solar Eclipse® Transparent



Solar Eclipse® Alu-look



Solar Eclipse® Blue



Ocean Eclipse®



Lagoon Eclipse®



Crystal Clear Eclipse®

PVC slats

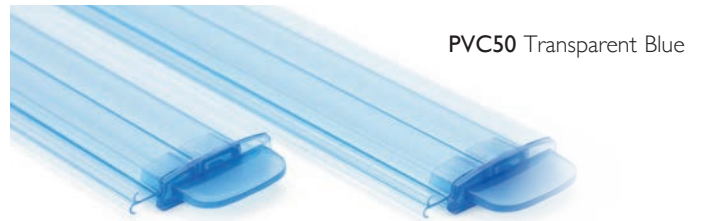
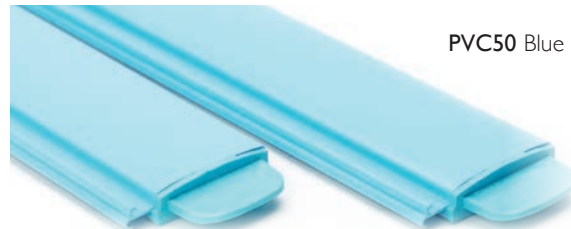
A RANGE OF OPTIONS

PVC slats have a width of 50 mm and a thickness of 13 mm. Available in no fewer than six colour versions:

PVC50 (Solid Colours): Available in white, blue, cream and grey.

PVC50 (Transparent with slight blue tint): Ideal for pools with underwater lighting as the transparent slat will allow the lighting to be seen in the evening when the cover is across the pool, creating a beautiful atmosphere.

PVC50 (Transparent with slight blue tint and solar backing): These solar PVC slats transfer the heat from the sun to the swimming pool water so the swimming water is warmed by the very first sun rays.



Roldeck slat comparison

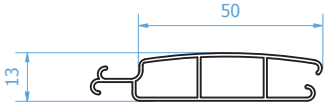
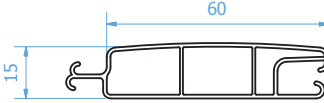
	PVC	Solar Eclipse®
		
Execution	Colour / Transparent / Solar	Solar
Type of slat	Hollow	Hollow
Material	PVC	Polycarbonate
Colours	White / Grey / Cream / Blue / Transparent Blue / Transparent Blue Solar	Blue / Transparent / Alu look / Lagoon / Ocean / Volcano / Crystal Clear
Temperature resistance	-10° up to 50° Celsius	-40° tot 140° Celsius
Floating capacity per m ²	4,8 kg	8,9 kg
Weight per m ²	4,0 kg	4,0 kg
Insulation capacity	White, Grey, Creme, Blue: 0,135 m ² K/W, Transparent Blue and Transparent Blue Solar: 0,159 m ² K/W	0,3125 m ² K/W
Max length (out of one piece)	10 meter. (Sizes > 10 m. on demand)	10 meter. (Sizes > 10 m. on demand)
Minimal trading unit	1 slat	1 slat
Warranty	5 years (2 years complete, after this decreasing)	5 years (2 years complete, after this decreasing)
Resize on site	In case of emergency (with glue)	In case of emergency (with kit)
Chemical resistant (Chlorine & Acid)	++	+++
Aging	++	+++
UV Protection	+	+++
Algae masking	✘	✓
Benefits	<ul style="list-style-type: none"> • Energy-saving • High insulating effect • Resistant against UV rays • Available in six options 	<ul style="list-style-type: none"> • Energy-saving • High insulating effect • Resistant against high temperatures • Resistant against UV rays • Better resistance to hail and storms than PVC slats

Image used with kind permission from Mermaid Pools

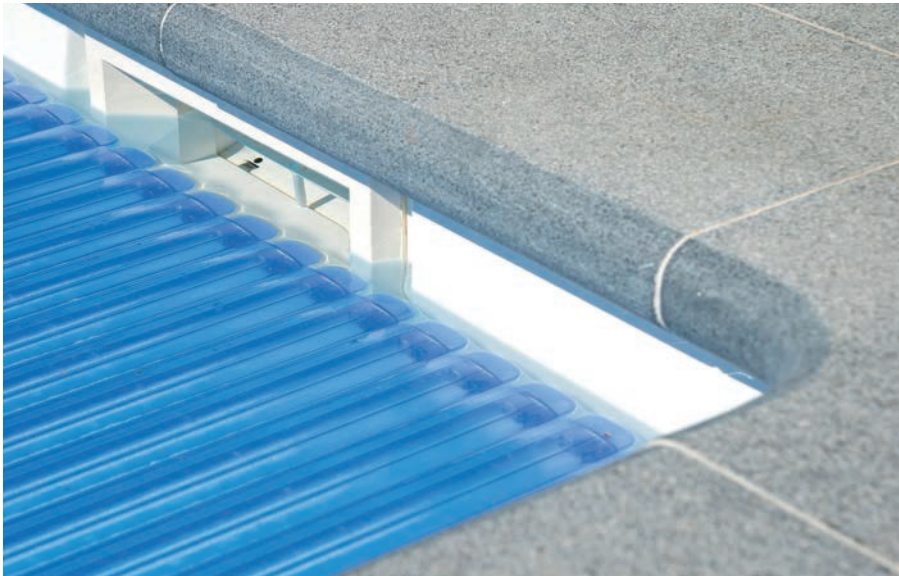


Installation methods

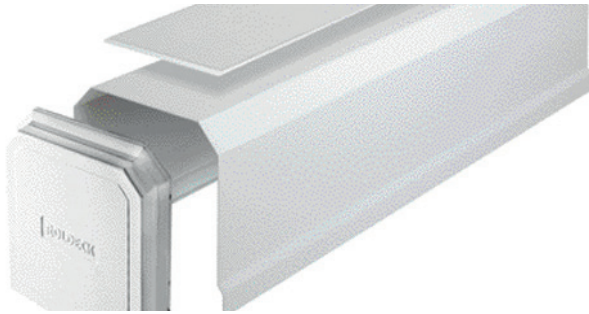


INSTALLATION

There are several installation options available for Roldecks, to suit both new build pools and as a retro fit option, all of which are applicable to both indoor and outdoor pools.



Roldeck above-ground options



CLASSIC ABOVE GROUND

This type of install is ideal for existing swimming pools. The roller is mounted on the pool surround and supplied with a white aluminium roller housing, complete with two fibreglass end caps. As an optional extra, the housing can be reinforced at manufacturing stage to create a seat bench. This housing protects the slats and motor against all weather conditions. By installing an optional seat bench cover, the construction forms a desirable addition to your terrace behind your swimming pool.



EASY COVER BASIC

The Roldeck Easy Cover Basic is an affordable electronic automatic cover, suitable for pools up to a maximum of 12m x 6m and is supplied with a key switch that allows you to open and close your cover. It is easy and quick to install for both existing and new swimming pools. The Roldeck Easy Cover Basic is available in combination with PVC slats in the colours white, grey, cream and the full range of polycarbonate slats (PC60 and Solar Eclipse). The colour of the side consoles are white as standard, but other RAL colour options are available as an optional extra.

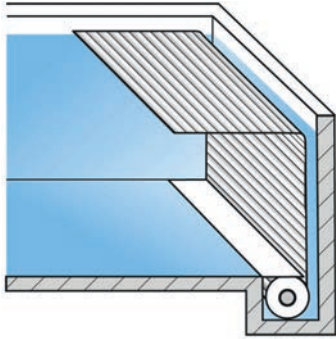


EASY COVER SOLAR

The Roldeck Easy Cover Solar is similar to the Easy Cover Basic, but rather than electronic, it is solar powered. This negates the need for electrical cables, making it quick and easy to install. Waterproof touch keys on the support console operate the memory programme for the cover, so that the Easy Cover Solar always runs neatly to the correct end point with a single push of the button. For extra safety, a key switch is built into the side of the support console. There is also a connector for a battery charger. Roldeck Easy Cover Solar is available in combination with PVC slats in the colours white, grey, cream and the full range of polycarbonate slats (PC60 and Solar Eclipse). The colour of the side consoles are white.

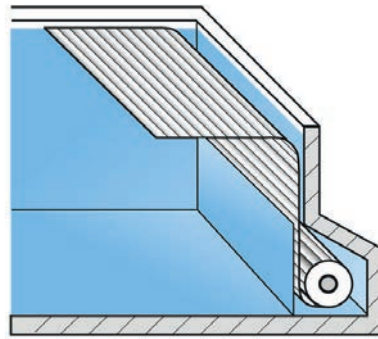
Roldeck built in options

BUILT-IN BELOW FLOOR



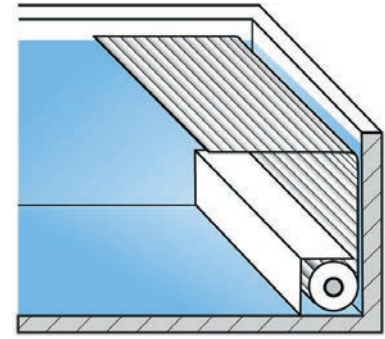
Below floor with fixed lid

BELOW GROUND RECESSED IN A CAVE

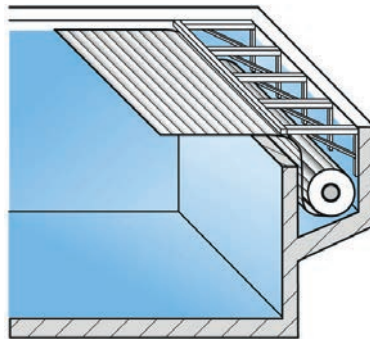


Recessed in cave with hinged front panel and nose wheel guides

BUILT INTO SWIMMING POOL



In-pool with in-pool roller cover



Below ground in pit cantilever brackets (letter box)

Finishing possibilities

Fibreglass Panels for concealing the roller

For Roldeck covers installed in the pool, Roldeck® has developed fibreglass finishes that safely and neatly seal the winding construction. The panels are hinged, making service and maintenance easy and simple. The fibreglass finishing elements are supplied in the colours white / light blue, blue or light grey as standard. For an additional price, a wide range of RAL colours are available.

Fibreglass Panels are suitable for the following types of installation:

- Cave panel – when roller pit is built into end wall (ideal for deck level pools)
- In-Pool Bench panels - when roller is mounted in pool – two panels create in-pool roller housing (ideal for existing pools as retro fit).
- Fixed lid panel – when roller pit is built beneath the actual pool floor (ideal for deck level pools)
- Automatic lid (when roller pit is built beneath the actual pool floor on shaped pool)

FIXED lid

Specifications:

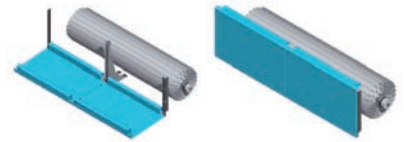
- Made entirely of fibreglass
- Produced using hand lamination
- Provided with reinforcement as standard
- Manually pivotable for service and maintenance
- Standard dimensions: heights: 600 mm / 750 mm / 850 mm / 1000 mm
- Other dimensions on request
- Maximum length from 1 piece: 5000 mm, above this the protective plate will be delivered in 2 pieces (up to 10 metres).
- Standard colours: white and light blue, blue or light grey
- Optional RAL colours are available



Cave panel

Specifications:

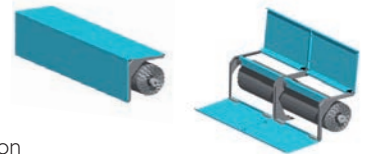
- Made entirely of fibreglass
- Produced using hand lamination
- Provided with reinforcement as standard
- Manually pivotable for service and maintenance
- Standard dimensions: heights: 600 mm / 750 mm / 850 mm / 1000 mm
- Other dimensions on request
- Maximum length from 1 piece: 5000 mm, above this the protective plate will be delivered in 2 pieces (up to 10 metres).
- Standard colours: white, light blue, blue or light grey.
- Optional RAL colours are available



BENCH COVER

Specifications:

- Made entirely of fibreglass
- Produced using hand lamination
- Provided with reinforcement as standard
- Wall supports provided with Roldeck protect coating as standard
- Manually pivotable for service and maintenance
- Standard dimensions: heights: 600 mm / 750 mm / 850 mm / 1000 mm
- When ordering in combination with in-roller motor along the wall, please indicate, looking from the steps, which side the cable recess should be.
- Maximum length from 1 piece: 5000 mm, above this the protective plate will be delivered in 2 pieces (up to 10 metres).
- Standard colours: white, light blue, blue or light grey.
- Optional RAL colours are available



Finishing possibilities

ROLDECK CONTROL

The technician-friendly RD 2013 is a modular plug-and-play-control.

Unique characteristics are:

- Automatic motor recognition and selection of the optimal control programme for tubular and external motors
- Automatic Soft Start and Soft Stop when operating cover
- Output for garden lighting/accessories and underwater lighting (LED lighting)
- Connection for child-safety lock and for pressure measurement (for tubular motors)
- If desired, delayed turning on and off of filter pump and jet stream

- Control of RGB LEDs (pulsing RGB, such as the underwaterlamps from the Starline range)
- Extensive fault-code diagnosis system, through which faults can be more easily recognised
- S-Switch: view water temperature, control of swimming pool lighting, adjustment of your Roldeck
- After 15 minutes the S-Switch automatically locks, so it can only be operated after unlocking

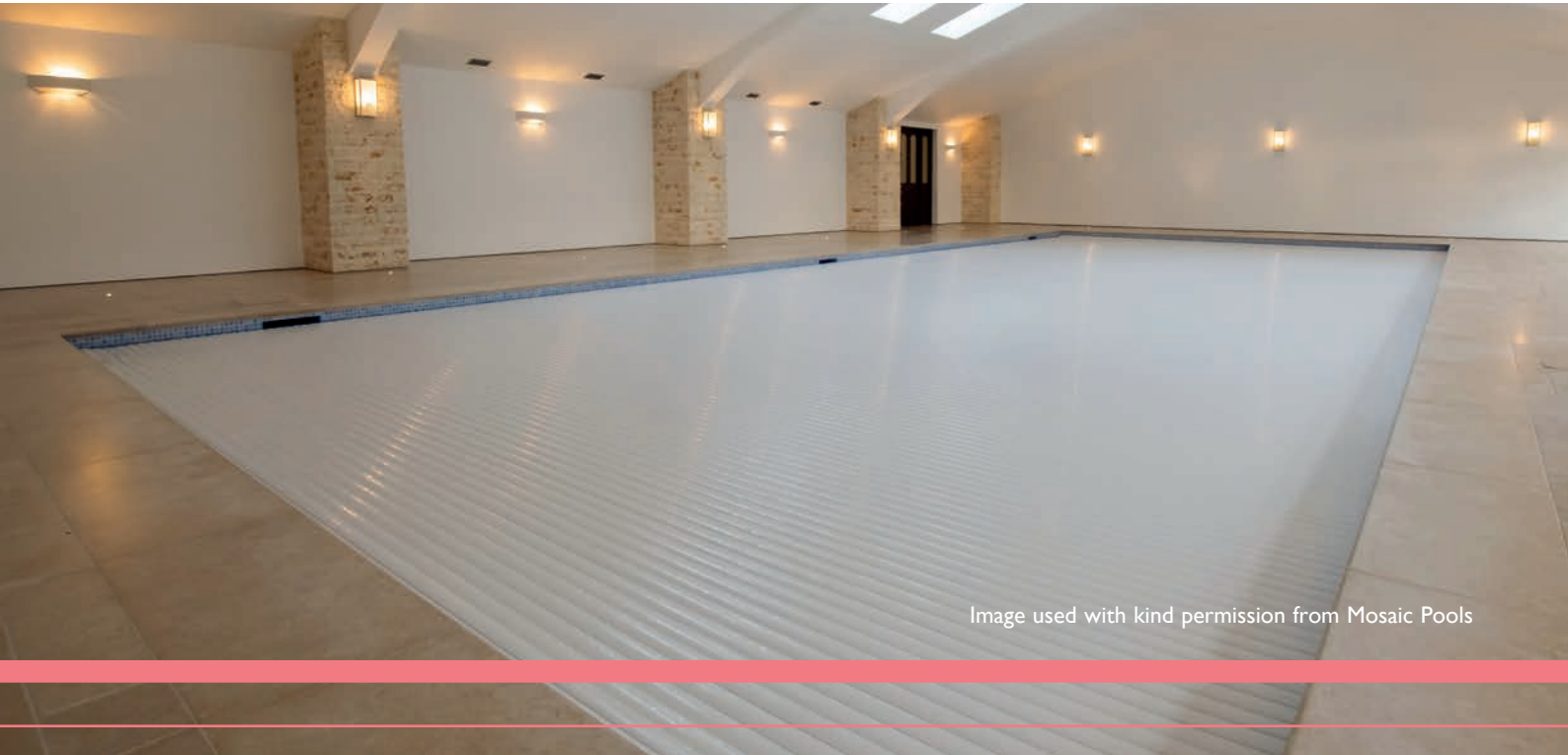


Image used with kind permission from Mosaic Pools

Certikin

FLUIDRA

www.certikin.co.uk



Contact your Certikin stockist for prices and availability.

This literature is intended as a guide.
The company reserves the right to change the specifications without notice.